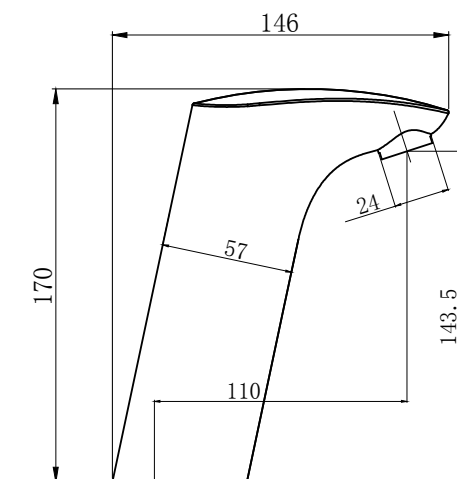


### SPECIFICATION SHEET

## UT-24BC

Touch-free infrared based electronic tap. The tap is activated automatically when the users place their hands within the sensor range and stops when the users remove their hands. Made with solid brass and chrome plated. Helps washrooms to stay clean and saves water. Touch free usage prevents cross contamination.



| Model No.                         | UT-24BC              |
|-----------------------------------|----------------------|
| Power                             | DC6V / AC220V / Dual |
| Average static power consumption  | <50uA                |
| Instant dynamic power consumption | <2.5W                |
| Working water pressure            | 0.05-0.7MPa          |
| Sensor distance                   | 10-30cm              |
| Error detection time              | <0.6 second          |
| Maximum washing time              | 60 seconds (Default) |
| Inlet diameter                    | G1/2"                |
| Outlet diameter                   | G1/2"                |