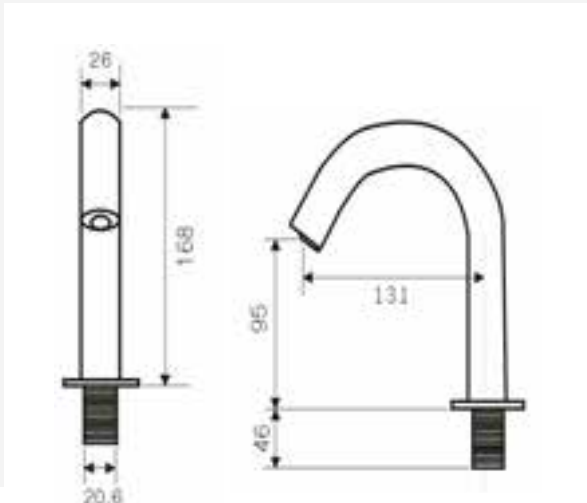


### SPECIFICATION SHEET

## UT- 327

Electronic Touch-free soap counter mounted dispenser which drastically reduces soap consumption with Cross contamination protection. There is no physical contact with Easy installation and refilling. Highly durable for all traffic locations



Model No.	UT- 327
Mount	Deck-Mounted Sensor Soap Dispenser
Material	Chrome plated Brass Body
Working power	DC6V/AC220V (4pcs AA alkaline batteries)
Average static power consumption	<50uA
Instant dynamic power consumption	<5W
Sensor distance	7-8cm
Soap capacity	1000ML
Sensor life time	300,000 times on/off
Pump life time	100,000 times on/off
Soap type	Liquid Soap