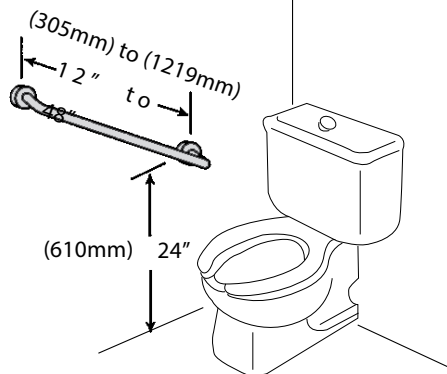


SPECIFICATION SHEET

UT-7524

All grab bars are fabricated of 1.2mm 304 stainless steel tubing. Mandrel bending process ensures uniform bar diameters. Bar pass through stainless steel flanges and are heliarch welded to form a single structural unit.

UT7524



Available in 305 mn(12"), 457mm(18") 610 mm(24"), 762mm(30"), 914mm(36"), 1067 mm(42") and 1219mm(48") lengths



Model No.	UT-7524
Material	Straight Grab Bar SS 304 in satin finish (32mm outer Dia)
Size available in	450/600/900/1200mm Lengths