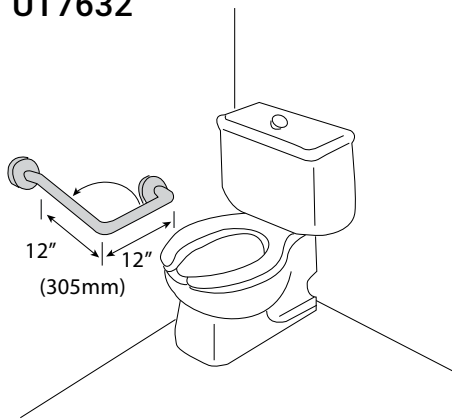


SPECIFICATION SHEET

UT-7632

All grab bars are fabricated of 1.2mm 304 stainless steel tubing. Mandrel bending process ensures uniform bar diameters. Bar pass through stainless steel flanges and are heliarch welded to form a single structural unit.

UT7632



| | |
|------------------|---|
| Model No. | UT-7632 |
| Material: | Angled Grab Bar SS 304 in satin finish (32mm outer Dia) |
| Drawing : | A 501 from grab bar sheet |