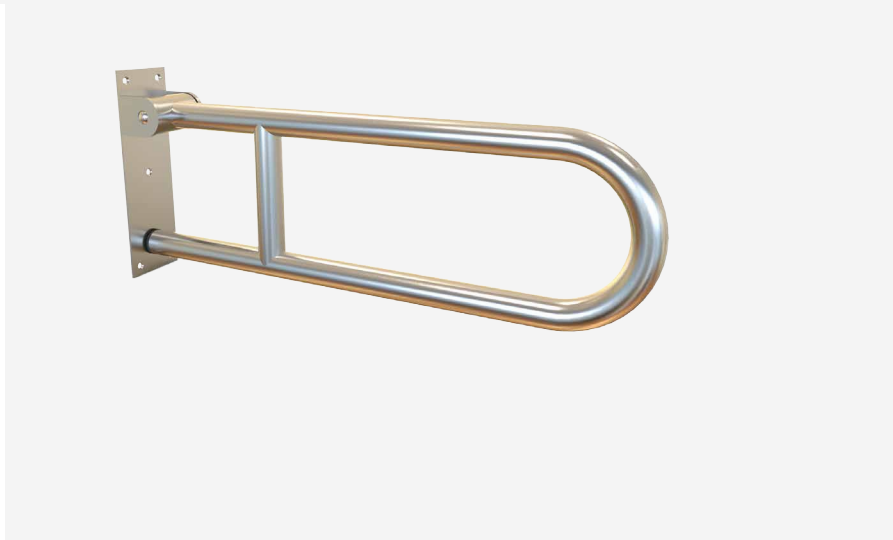
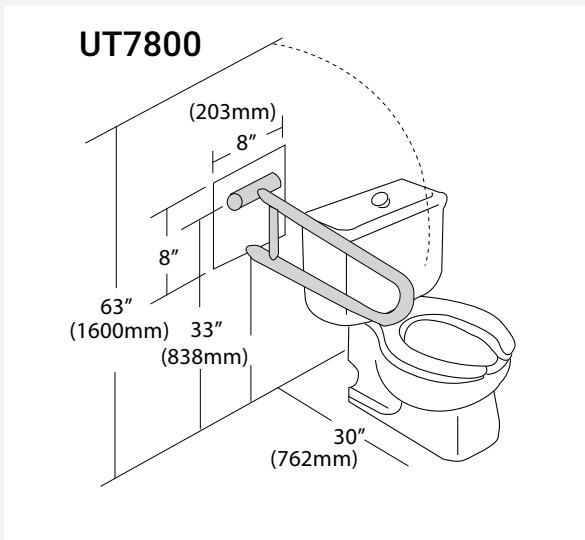


### SPECIFICATION SHEET

## UT-7800

All grab bars are fabricated of 1.2mm 304 stainless steel tubing. Mandrel bending process ensures uniform bar diameters. Bar pass through stainless steel flanges and are heliarch welded to form a single structural unit.



Model No.	UT-7800
Material:	Swing-up Grab Bar SS 304 in satin finish (32mm outer Dia)
Size:	760mm Length
Drawing :	A 513 from grab bar sheet