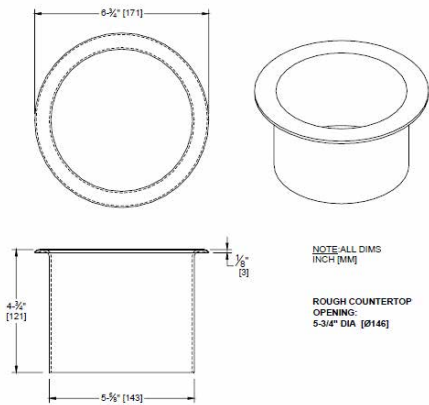


UT-TVB 4078

UTEC Circular waste chute are fabricated from heavy gauge alloy 18-8 stainless steel, type 304. All exposed and interior surfaces of the waste chute satin finish. This waste chute provides waste deposit access to receptacle (not included) which is placed under countertop opening.



Model No.	UT-TVB 4078
Product	Circular waste chute fabricated in SS 304
Overall Dimension	171 DIA x 121mm (chute opening 146mm DIA)